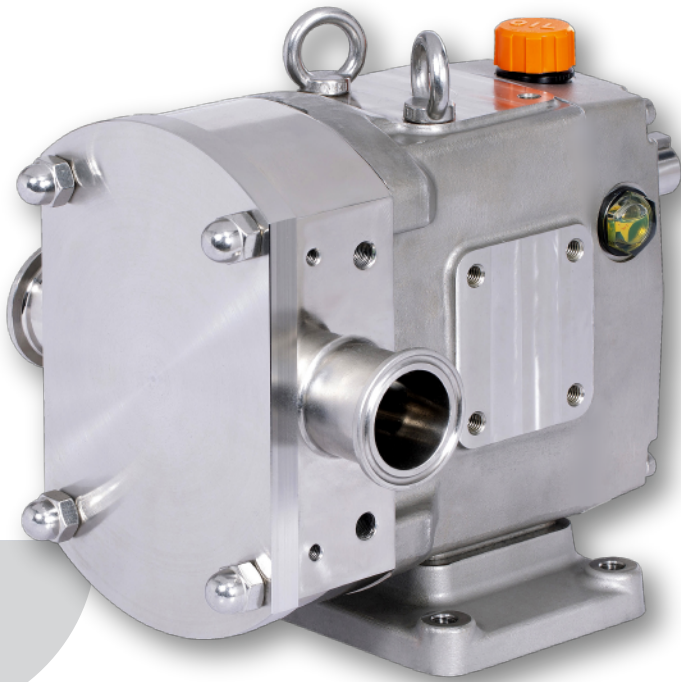


KL Sanitary Lobe Pump



www.jvpump.com

Application

the KL pump is a positive displacement lobe rotor pump of a sanitary design suitable for use in the dairies, food-processing, beverage, cosmetics, pharmaceutical and fine chemicals industries.

It is perfect for managing all kinds of fluid, of either low or high viscosity, as well as for filtering and bottling applications. Products containing fragile solids can be pumped without damage thanks to the specially designed lobes.

Principle

KL pumps basically consist of two lobe rotors which rotate synchronously inside a casing without touching each other.

As the rotors rotate, the spaces between the lobes and the casing are successively filled with the product, which is transported to the discharge nozzle with a fixed amount of displacement.

Design and Feature

- Front-loading product seal positioning gives faster maintenance, easier cleaning, and less downtime.
- 304 SS Gear box body..
- Standard wing-lobe rotors.
- Standard connections: Tri-Clamp
- Wetted ends 316L.
- 0.8 Ra Polish
- Standard mech.seal : TC/TC/EPDM or SIC/SIC/EPDM.
- Capable of bi-direction running.

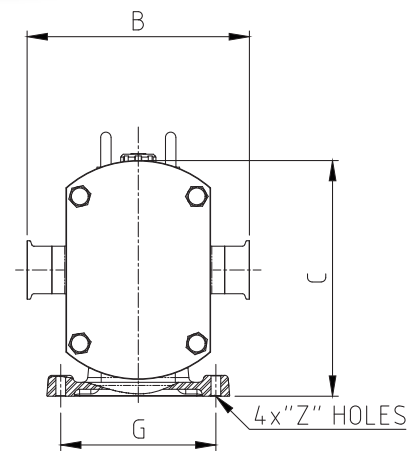
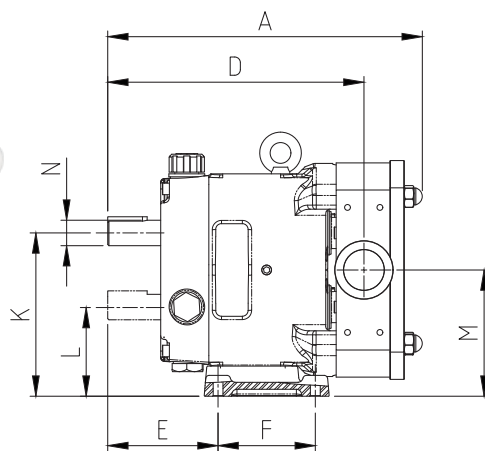


KL Sanitary Lobe Pump



Option

- O-ring : NBR \ VITON \ FFKM
- Flushing seal : single seal+lip or double mech. seal
- Type of rotor : Single \ Wing lobe \ Tri-lobe \ multi-lobe
- jacket : heating or cooling
- Vertical
- Rectangular inlet



Specification

Model	Flow L/RPM	Standard Connection	Max.Pressure Bar	Max.Speed RPM
KL05-002	0.02	1"	20	900
KL10-005	0.05	1"	20	900
KL15-013	0.13	1.5"	12	700
KL20-022	0.22	2"	8	700
KL22-040	0.4	2"	12	600
KL25-062	0.62	2.5"	8	600

Dimension (Tri-Clamp)

Model	A MM	B MM	C MM	D MM	E MM	F MM	G MM	K MM	L MM	M MM	N MM	Key (MM)		Z MM	Wt. (KG)
												L	W		
KL05-002	255	192	200	218	96	84	134	141	77	109	22	30	0.24	8.8	27
KL10-005	255	192	200	218	96	84	134	141	77	109	22	30	0.24	8.8	27
KL15-013	264	192	200	222	96	84	134	141	77	109	22	30	0.24	8.8	42
KL20-022	284	196	200	230	96	84	134	141	77	109	22	30	0.24	8.8	51
KL22-040	386	232	265	305	129	132	180	185	101	143	32	50	0.39	11	100
KL25-062	406	240	265	315	129	132	180	185	101	143	32	50	0.39	11	113